

TUFLOC

INSTALLATION INSTRUCTIONS

Fingerprint Reader

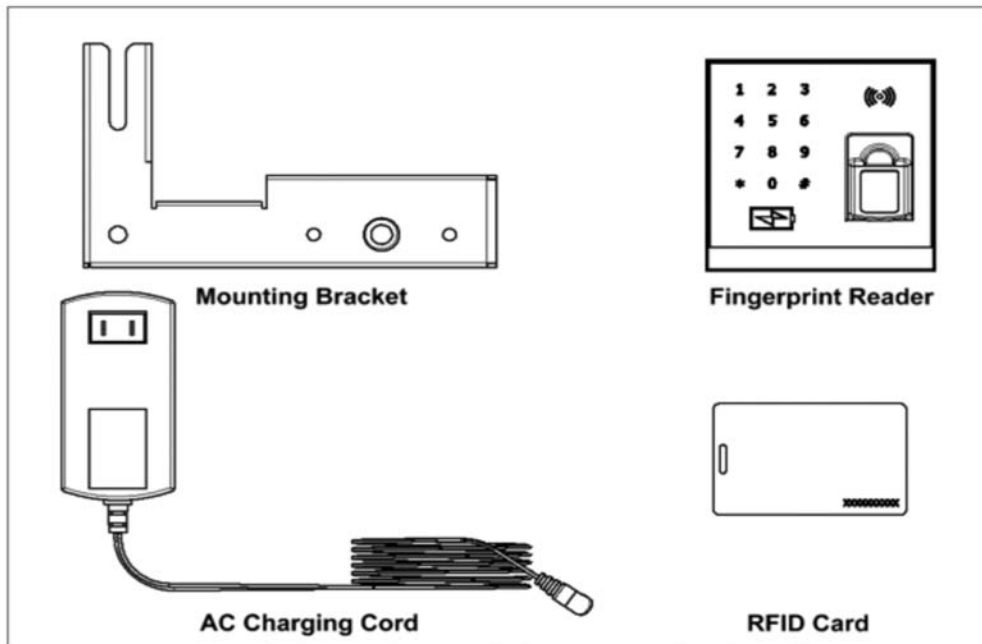


Warranty

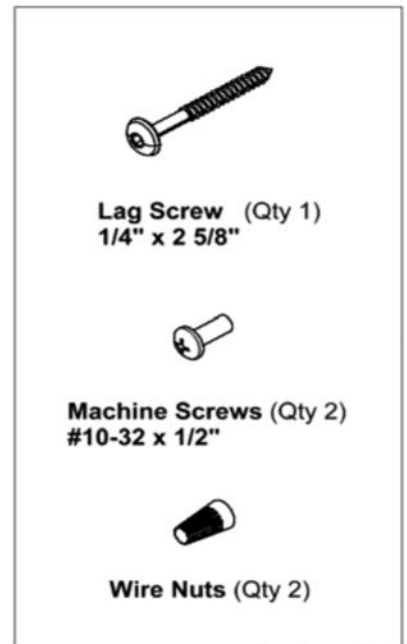
Congratulations and thank you for your recent purchase of the TUFLOC Fingerprint Reader. Esmet has designed and manufactured the highest quality products for over sixty-five years and we are confident that you will be a satisfied TUFLOC product owner.

This manual includes simple step by step instructions to install, operate, and maintain your Fingerprint Reader. Please contact the factory if you have any installation or operation questions.

Components



Fasteners

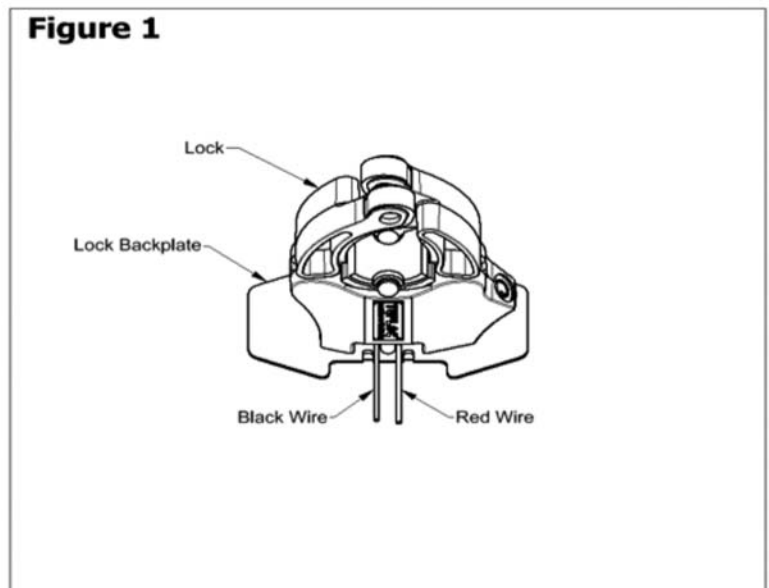


Required Tools: Level, Tape Measure, Wire Stripper, Phillips Screwdriver, 3/16" Drive Bit, Drill, Electrical Tape

- IMPORTANT:**
- The Lock must be mounted **BEFORE** connecting the Fingerprint Reader (See Gun Lock Mounting Instructions)
 - Charge and program the Fingerprint Reader **BEFORE** mounting it. (See User Manual)

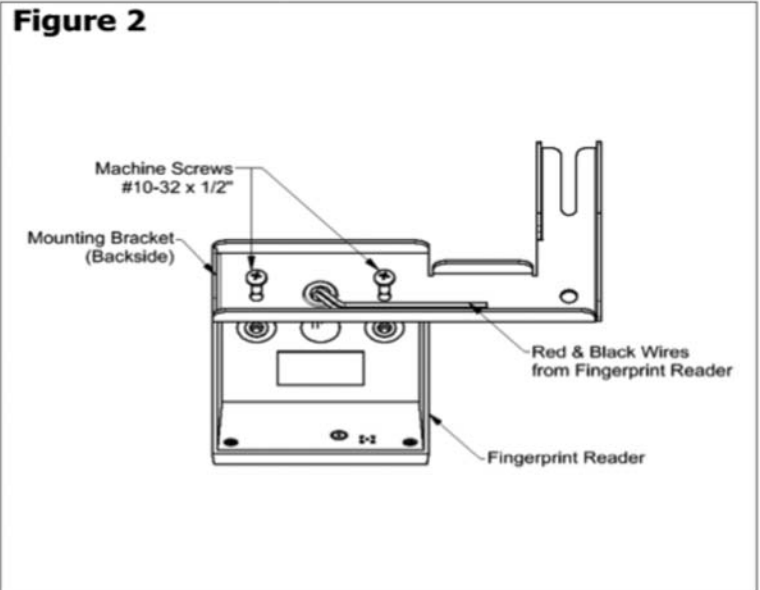
Step 1: Remove Wires Underneath Lock (Fig. 1)

- Being careful not to damage the wires, remove the Red and Black Wires from underneath the Lock.



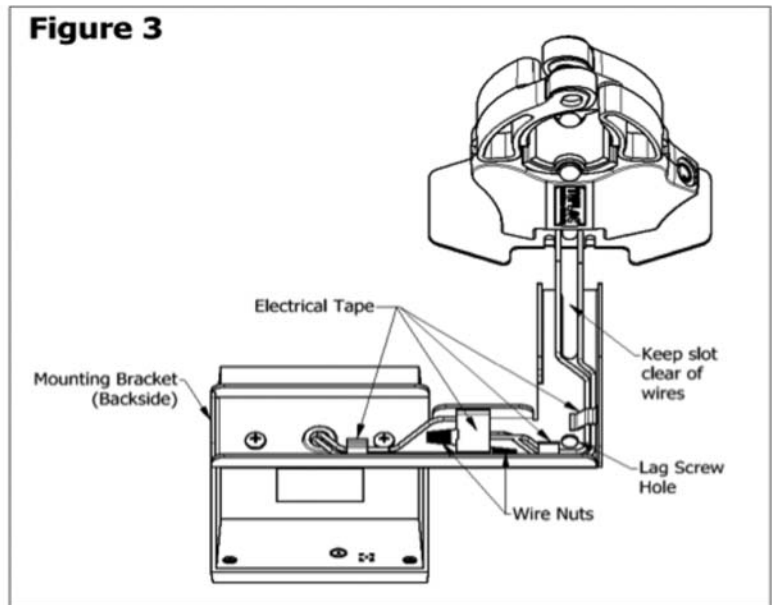
Step 2: Attach Fingerprint Reader (Fig. 2)

- Feed the Red & Black Wires through the front of the Mounting Bracket and out the back.
- Attach the Fingerprint Reader to the Mounting Bracket using the Machine Screws and a Phillips screwdriver.



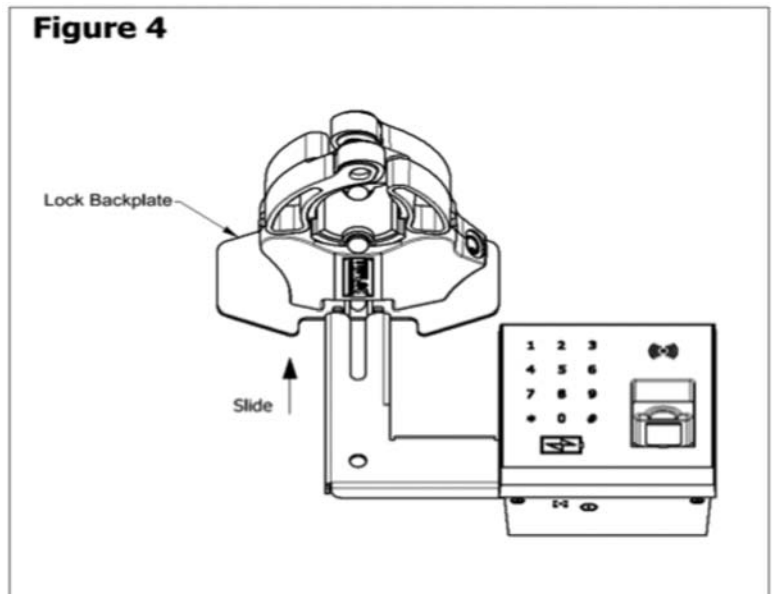
Step 3: Connect and Secure Wires (Fig. 3)

- Using a wire stripper, strip the wires coming from the Fingerprint Reader and attach them to the corresponding wires coming from the Lock. Secure the wire connections with Wire Nuts.
- Using Electrical Tape, secure wires to the back of the Mounting Bracket making sure the Lag Screw hole and the slot in the Mounting Bracket are kept clear.



Step 4: Attach Mounting Bracket (Fig. 4)

- After the wires are connected and secured to the Mounting Bracket, flip the entire assembly so the front of Fingerprint Reader is facing outward.
- Being careful not to pinch the wires, slide Mounting Bracket under the Lock until it stops at the top of the Lock Backplate. The slot in the Mounting Bracket will no longer be visible.



Step 5: Secure Mounting Bracket (Fig. 5)

Note: The Lag Screw is designed to be used to secure the Mounting Bracket into a wood stud wall. Fasteners are not included for concrete or brick wall applications

- By following the previous Gun Lock Mounting Instructions, the center of the Fingerprint Mounting Bracket should be lined up on a stud.
- Adjust the Mounting Bracket so the Fingerprint Reader is level. Using a 3/16" drive bit, tighten the Lag Screw to secure the Mounting Bracket into wall.

